

Coffee System
Pony Professional espresso coffee POD
machine, 2 groups for 4 pods/cups,
Steamair

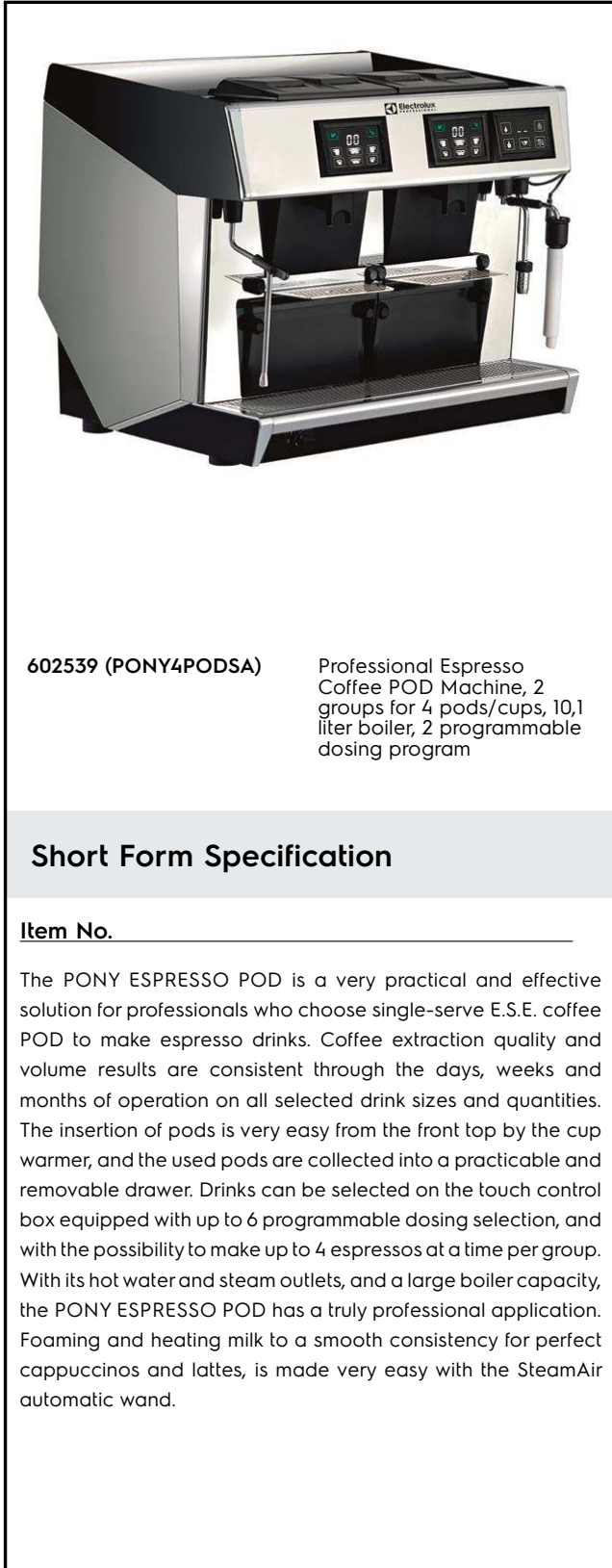
ITEM # _____

MODEL # _____

NAME # _____

SIS # _____

AIA # _____


602539 (PONY4PODSA)

 Professional Espresso
 Coffee POD Machine, 2
 groups for 4 pods/cups, 10,1
 liter boiler, 2 programmable
 dosing program

Short Form Specification

Item No. _____

The PONY ESPRESSO POD is a very practical and effective solution for professionals who choose single-serve E.S.E. coffee POD to make espresso drinks. Coffee extraction quality and volume results are consistent through the days, weeks and months of operation on all selected drink sizes and quantities. The insertion of pods is very easy from the front top by the cup warmer, and the used pods are collected into a practicable and removable drawer. Drinks can be selected on the touch control box equipped with up to 6 programmable dosing selection, and with the possibility to make up to 4 espressos at a time per group. With its hot water and steam outlets, and a large boiler capacity, the PONY ESPRESSO POD has a truly professional application. Foaming and heating milk to a smooth consistency for perfect cappuccinos and lattes, is made very easy with the SteamAir automatic wand.

Main Features

- Professional espresso coffee POD machine.
- Coffee extraction quality and volume results are consistent through the days, weeks and months of operation on all selected drink sizes and quantities.
- The insertion of pods is very easy from the front top by the cup warmer, and the used pods are collected into a practicable and removable drawer.
- Drinks can be selected on the touch control box equipped with up to 6 programmable dosing selection, and with the possibility to make up to 4 espressos at a time per group.
- Foaming and heating milk to a smooth consistency for perfect cappuccinos and lattes, is made very easy with the SteamAir automatic wand.
- 2 groups for 4 pods/cups.
- 2 programmable dosing program.
- Automatic cleaning cycle.
- Programmable water.

Construction

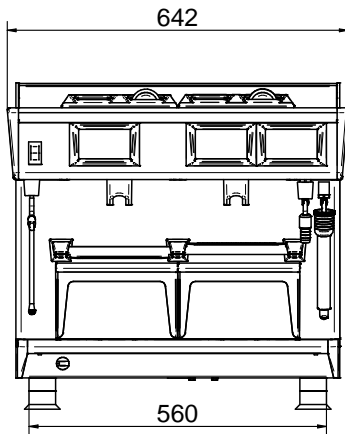
- Stainless steel body.
- 10.1 liter boiler.
- Removable used pods drawer.
- Adjustable cup holder.

Optional Accessories

- Raised feet kit PNC 871005
- Side milk refrigerator 8 liter nominal capacity for up to 4 liter milk containers PNC 871014
- Side milk refrigerator 8 liter nominal capacity for up to 4 liter milk containers with digital display PNC 871015

APPROVAL: _____

Front



Electric

Supply voltage:	
602539 (PONY4PODSA)	400 V/3N ph/50 Hz
Electrical power max.:	4.7 kW
Current consumption:	7 Amps
Plug type:	Cable without plug

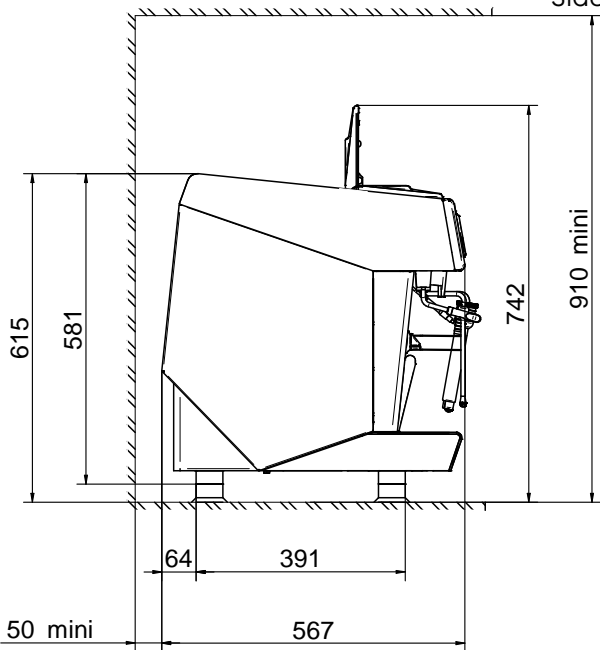
Water:

Cold water temperature (min/max):	5 / 60 °C
--	-----------

Key Information:

External dimensions, Width:	642 mm
External dimensions, Height:	580 mm
External dimensions, Depth:	570 mm
Net weight:	65 kg
Shipping volume:	

Side



Top

