



Modular ice maker - Granular system
Daily production up to 1400 kg

Hotel	████████████████████
Restaurant	████████████████████
Fast food	████████████████████
Bar	████████████████████
Disco	████████████████████
Fish market	████████████████████
Supermarket	████████████████████
Medical & SPA	████████████████████
Industry	████████████████████

► Position n°



► **Features & Plus**

- Granular ice - 80-82% dry
- 1l (water) - 1kg (ice)
- AISI 304 SS Scotch Brite finish
- Tropical class +43°C
- Specific volume 1 m³ = 550 kg of ice
- AISI 304 SS evaporator
- Dust-proof water basin
- RoHS Free
- ON-OFF rocker switch
- Rotation sensor on low speed shaft
- Automatic water charge
- Standard and special voltages
- Frame in INOX
- PS 40bar suction side
- PS 90bar liquid side
- Electronic expansion valve
- Danfoss Driver
- Mechanical pressure restrictor valve (40bar)
- Remote control board
- Complete electrical panel
- Plug in



AISI 304 SS evaporator



Dust-proof water basin



Rotation sensor on low speed shaft



Frame in INOX

► **Usable Bins**

- Bin 550V DS
- Double Roller Bin 500
- Double Roller Bin 1200

2 Years Warranty
subject to limitations

► **Certifications available for this model**





Ice Flakes

G 1402 Split DEV CO₂



Modular ice maker - Granular system
Daily production up to 1400 kg

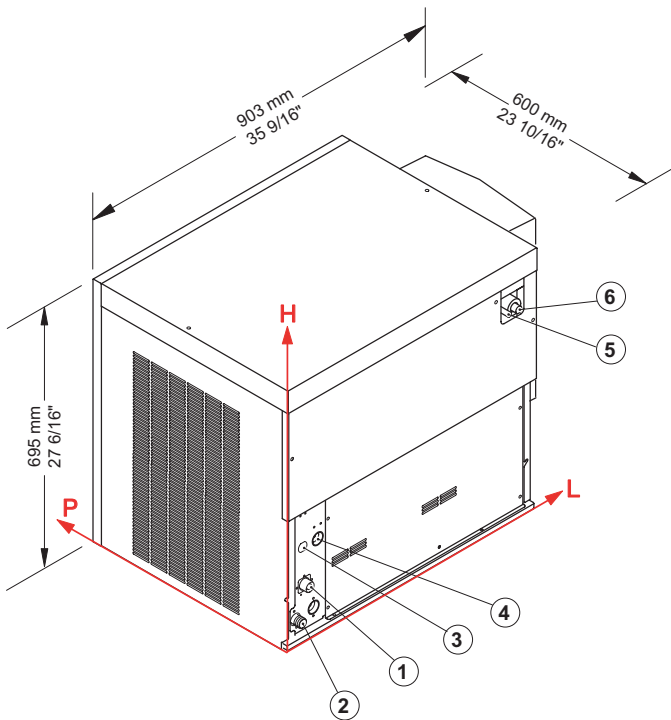
► Working conditions

- Location: **Indoor**

	Min	Max
Ambient temperature	+10° C / +50° F	+43° C / 110° F
Water temperature	+3° C / +37° F	+32° C / +90° F
Voltage	-10%	+10%
Water inlet pressure	1bar (14 psi)	6bar (84 psi)

► Connections

- ① Water inlet
- ② Water outlet
- ③ Remote connection
- ④ Electrical connection
- ⑤ Refrigerant feeding pipe
- ⑥ Outlet pipe of gaseous refrigerant



► Technical information

Production in 24h	1400 kg / 3086 lbs
Refrigerant	CO ₂ (R744)
Refrigerant capacity	4600 W (evap. temp. -18° C)
PS liquid side	1305 PSI - 90bar
PS suction side	580 PSI - 40bar
Water consumption	1 l/kg - 12,0 gal/100 lbs
Standard voltage	220-240 V ~ 50 Hz
Average power consumption	350 W

Sizes (L-P-H mm)	903 - 597 - 695
(L-P-H in)	35 9/16 - 23 8/16 - 27 6/16
Sizes with pack (L-P-H mm)	995 - 765 - 890
(L-P-H in)	39 3/16 - 30 2/16 - 35 1/16
Net weight	119 kg / 262 lbs
Gross weight	149 kg / 328 lbs
Finishing	AISI 304 stainless steel, scotch brite

All the technical information need to be considered at the following conditions:
Refrigerant capacity 4600 W (evap. temp. -18° C)
Water temperature +15° C
Average power consumption at +43° C (standard voltage)

Models and specifications are subject to change without notice

Rev. 05 - Issued September 2019



www.bremaice.it
info@bremaice.it

