



**Self-contained ice maker - Pebble system**  
Daily production up to 153 kg

|               |                      |
|---------------|----------------------|
| Hotel         | ████████████████████ |
| Restaurant    | ████████████████████ |
| Fast food     | ████████████████████ |
| Bar           | ████████████████████ |
| Disco         | ████████████████████ |
| Fish market   | ████████████████████ |
| Supermarket   | ████████████████████ |
| Medical & SPA | ████████████████████ |
| Industry      | ████████████████████ |

► Position n°



► Features & Plus

- Pebble ice - 91% dry
- 1l (water) - 1kg (ice) - only Air cooled
- AISI 304 SS Scotch Brite finish
- Tropical class +43°C
- Adjustable Stainless Steel feet
- Removable and cleanable air filter
- AISI 304 SS evaporator
- Air or water cooling system
- Easy cleanable internal rounded surfaces
- HCFC-Free insulated storage
- Dust-proof water basin
- RoHS Free
- Disappearing insulated door
- Electromechanical operation
- ON-OFF rocker switch
- Automatic water charge
- Standard and special voltages
- HFC Free



AISI 304 SS Scotch Brite finish



Removable and cleanable air filter



AISI 304 SS evaporator



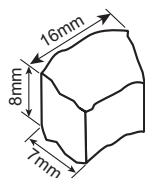
Dust-proof water basin



Disappearing insulated door

► Available pebble size

drawing for reference only



► Prod. 24h

| Air temp. | Water temp. |       | kg  | lbs |
|-----------|-------------|-------|-----|-----|
|           | 10° C       | 50° F |     |     |
| 10° C     | 50° F       | 7° C  | 153 | 337 |
| 21° C     | 70° F       | 15° C | 142 | 313 |

**2 Years Warranty**  
subject to limitations

► Certifications available for this model



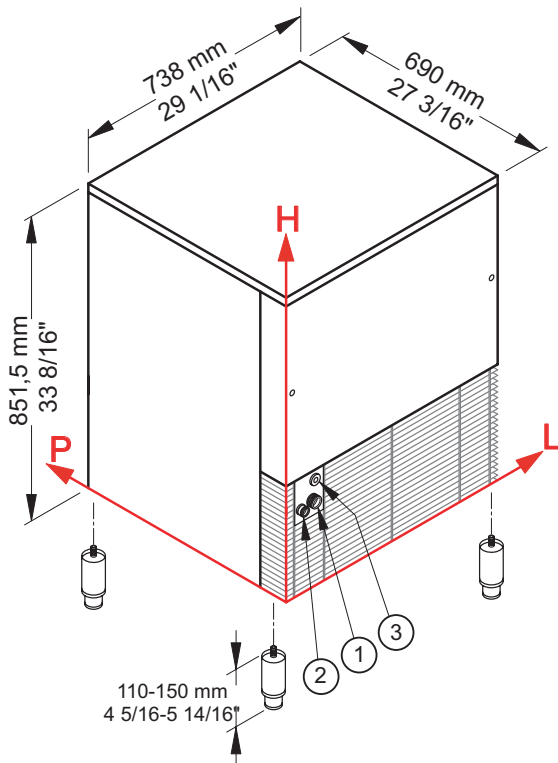


Ice Pebbles

# TB 1404 HC



## Self-contained ice maker - Pebble system Daily production up to 153 kg



### ► Working conditions

- Location: **Indoor**

|                      | Min             | Max             |
|----------------------|-----------------|-----------------|
| Ambient temperature  | +10° C / +50° F | +43° C / 110° F |
| Water temperature    | +3° C / +37° F  | +32° C / +90° F |
| Voltage              | -10%            | +10%            |
| Water inlet pressure | 1bar (14 psi)   | 6bar (84 psi)   |

### ► Performances

|  | Air temperature | Water temperature | Water temperature |         |        |         |       |
|--|-----------------|-------------------|-------------------|---------|--------|---------|-------|
|  |                 |                   | 7° C              | 45° F   | 15° C  | 60° F   | 21° C |
|  | 10° C           | 153 kg            |                   |         |        |         |       |
|  | 50° F           | 337 lbs           |                   |         |        |         |       |
|  | 21° C           |                   | 142 kg            |         |        |         |       |
|  | 70° F           |                   |                   | 313 lbs |        |         |       |
|  | 32° C           |                   |                   |         | 117 kg |         |       |
|  | 90° F           |                   |                   |         |        | 258 lbs |       |

### ► Connections

All measures are referred to the rear bottom-left corner (L-H-Ø)

- ① Water in.: 104 mm / 4 2/16" - 182 mm / 7 3/16" - 3/4" Ø      ② Water out.: 53 mm / 2 1/16" - 175 mm / 6 14/16" - 24 mm / 15/16" Ø  
 ③ Electrical connections: 92 mm / 3 10/16" - 254 mm / 10"

### ► Technical information

|                           |                   |                            |  |
|---------------------------|-------------------|----------------------------|--|
| Production in 24h         | 142 kg / 313 lbs  | Water consumption          | A: 1 l/kg - 12,0 gal/100 lbs           |
| Store capacity, up to     | 40 kg / 88 lbs    |                            | W: 9 l/kg - 108 gal/100 lbs            |
| Cooling system            | A - W             | Sizes (L-P-H mm)           | 738 - 690 - 851,5                      |
| Approximate pebble size   | 8 x 16 x 7        | (L-P-H in)                 | 29 1/16 - 27 3/16 - 33 8/16            |
| Refrigerant               | R290              | Sizes with pack (L-P-H mm) | 780 - 735 - 1015                       |
| Standard voltage          | 220-240 V ~ 50 Hz | (L-P-H in)                 | 30 11/16 - 28 15/16 - 39 15/16         |
| Average power consumption | 720 W             | Net weight                 | 90 kg / 198 lbs                        |
| Fuse                      | 10 A              | Gross weight               | 100 kg / 220 lbs                       |
| Electrical consumption    | 13 kWh/100kg      | Finish                     | AISI 304 stainless steel, scotch brite |

All the technical information must be considered at the following conditions:  
 Ambient temperature +21° C  
 Water temperature +15° C  
 Electrical consumption at +32° C (standard voltage)  
 Average power consumption at +43° C (standard voltage)

Models and specifications are subject to change without notice

Rev. 02 - Issued September 2019



[www.bremaice.it](http://www.bremaice.it)  
[info@bremaice.it](mailto:info@bremaice.it)

Bim + Data  
 download

