



## Modular ice maker - Scale system Daily production up to 1520 kg

Hotel	██
Restaurant	██
Fast food	██
Bar	██
Disco	██
Fish market	██
Supermarket	██
Medical & SPA	██
Industry	██

### ► Position n°



### ► Features & Plus

- Sub-cooled scale ice 99% dry
- 1l (water) - 1kg (ice)
- AISI 304 SS Scotch Brite finish
- Tropical class +43°C
- Specific volume 1 m<sup>3</sup> = 430 kg of ice
- Vertical fixed "no leak" evaporator
- Anticorodal alloy evaporator
- Cleanable antiscaling filter
- FDA approved - ABS plastic components
- Easy cleanable internal rounded surfaces
- RoHS Free
- Automatic water charge
- Standard and special voltages
- PS 40bar suction side
- PS 90 bar liquid side
- Electronic expansion valve
- Danfoss Driver
- Mechanical pressure restrictor valve (40bar)
- Remote control board
- Complete electrical panel
- Plug in



AISI 304 SS  
Scotch Brite finish



Vertical fixed "no  
leak" evaporator



Cleanable  
antiscaling filter

### ► Usable Bins

- Bin 550V DS
- Double Roller Bin 500

## 2 Years Warranty

### ► Certifications available for this model

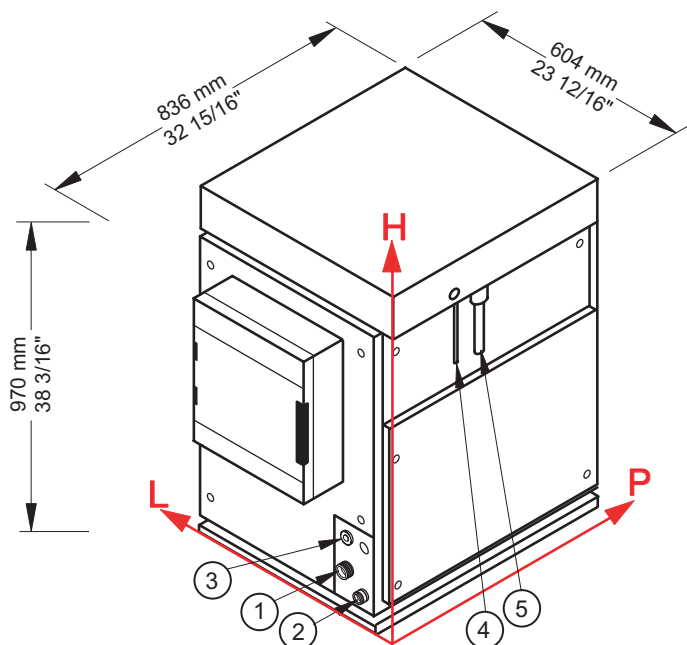




# M 1502 Split DEV CO<sub>2</sub>



Modular ice maker - Scale system  
Daily production up to 1520 kg



## ► Working conditions

- Location: **Indoor**

	Min	Max
Ambient temperature		+43° C / 110° F
Water temperature		+32° C / +90° F
Voltage		+10%
Water inlet pressure		6bar (84 psi)

## ► Connections

- ① Water inlet
- ② Water outlet
- ③ Electrical connection
- ④ Refrigerant feeding pipe
- ⑤ Outlet pipe of gaseous refrigerant

## ► Technical information

Production in 24h	1520 kg / 3351 lbs
Refrigerant	CO <sub>2</sub> (R744)
Refrigerant capacity	8550 W (evap. temp. -23° C)
PS liquid side	1305 PSI - 90bar
PS suction side	580 PSI - 40bar
Water consumption	1 l/kg - 12,0 gal/100 lbs
Standard voltage	220-240 V ~ 50 Hz
Average power consumption	180 W

Sizes (L-P-H mm)	604 - 836 - 970
(L-P-H in)	23 12/16 - 32 15/16 - 38 3/16
Sizes with pack (L-P-H mm)	604 - 836 - 970
(L-P-H in)	25 13/16 - 36 7/16 - 45 1/16
Net weight	160 kg / 353 lbs
Gross weight	180 kg / 397 lbs
Finishing	AISI 304 stainless steel, scotch brite

All the technical information need to be considered at the following conditions:  
 Refrigerant capacity 8550 W (evap. temp. -23° C)  
 Water temperature +15° C  
 Average power consumption at +43° C (standard voltage)

Models and specifications are subject to change without notice

Rev. 04 - Issued September 2019



[www.bremaice.it](http://www.bremaice.it)  
[info@bremaice.it](mailto:info@bremaice.it)

Bim + Data  
download

