

## Frozen Frozen granita dispenser with 2 bowls, mechanical control

ITEM # \_\_\_\_\_

MODEL # \_\_\_\_\_

NAME # \_\_\_\_\_

SIS # \_\_\_\_\_

AIA # \_\_\_\_\_


**560004 (IPRO2M)**

 Frozen Granita Dispenser  
 with 2X11 l insulated bowls,  
 mechanical control

### Short Form Specification

Item No. \_\_\_\_\_

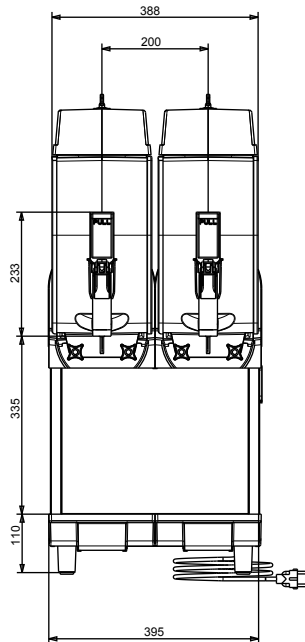
Frozen granita dispenser with 2 bowls; the ITANK™ Technology prevents ice accumulation on the outer side of the bowl and the bowl shape allows a natural mixing action to ensure an optimum consistency of the product. Customizable lid merchandiser and back graphic. Mechanical keypad allows for setting of cooling and defrost modes. Electromechanical control. Sliding drip tray.

### Main Features

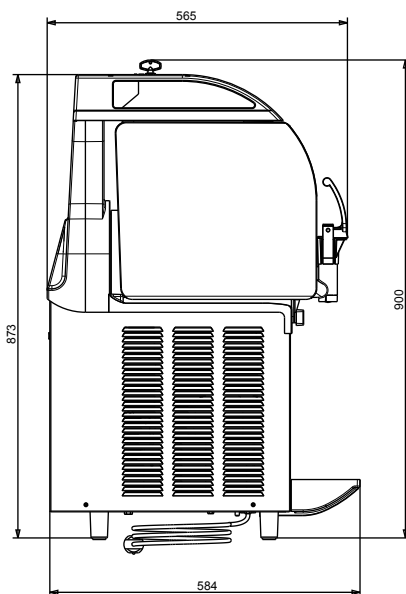
- Ideal for the production of slush.
- The ITANK™ Technology prevents ice accumulation on the outer side of the bowl, reducing condensation and increasing the cooling power of the machine.
- Bowl shape allows a natural mixing action to ensure an optimum consistency of the product.
- Customizable lid merchandiser and back graphic.
- Ideal for operators who want an innovative and distinctive equipment. Mechanical keypad allows for setting of cooling and defrost modes.
- The insulated tank guarantees higher cooling efficiency and lower effect of the external temperature on product's preparation and maintenance time reducing condensing and draining; it is the best solution in hot climate conditions.
- Electromechanical control.
- Sliding drip tray.

APPROVAL: \_\_\_\_\_

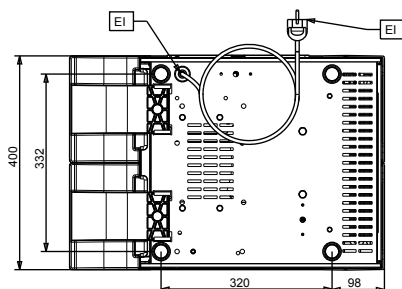
Front



Side



Top



### Electric

#### Supply voltage:

560004 (IPRO2M) 220-240 V/1 ph/50 Hz

#### Electrical power max.:

0.98 kW

### Key Information:

External dimensions, Width: 400 mm

External dimensions, Height: 870 mm

External dimensions, Depth: 580 mm

Net weight: 60 kg

### Refrigeration Data

Refrigerant type: R452A