

## Frozen Frozen granita dispenser with 2 bowls, electronic control

ITEM # \_\_\_\_\_

MODEL # \_\_\_\_\_

NAME # \_\_\_\_\_

SIS # \_\_\_\_\_

AIA # \_\_\_\_\_


**560006 (IPRO2E)**

 Frozen Granita Dispenser  
 with 2X11 l insulated bowls,  
 electronic control

### Short Form Specification

Item No. \_\_\_\_\_

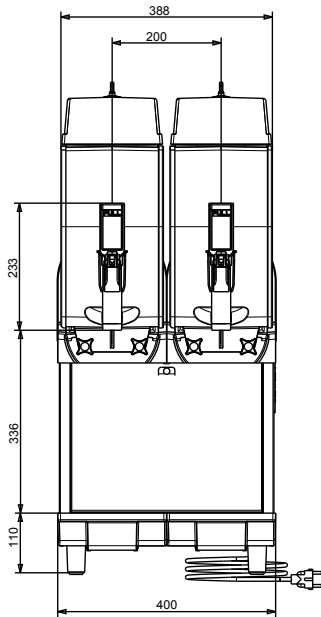
Frozen granita dispenser with 2 bowls; the ITANK™ Technology prevents ice accumulation on the outer side of the bowl and the bowl shape allows a natural mixing action to ensure an optimum consistency of the product. Customizable lid merchandiser and back graphic. Electronic control system and touch screen keypad. Sliding drip tray.

### Main Features

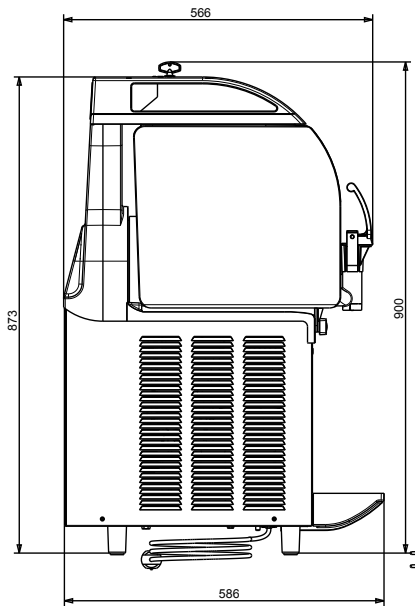
- Ideal for the production of slush.
- The ITANK™ Technology prevents ice accumulation on the outer side of the bowl, reducing condensation and increasing the cooling power of the machine.
- Bowl shape allows a natural mixing action to ensure an optimum consistency of the product.
- Customizable lid merchandiser and back graphic.
- Daily and weekly machine programming functionality.
- When the product reaches the right consistency, an automatic stand-by mode activates in order to save energy and reduce CO2 emissions.
- The insulated tank guarantees higher cooling efficiency and lower effect of the external temperature on product's preparation and maintenance time reducing condensing and draining; it is the best solution in hot climate conditions.
- Electronic control system and touch screen keypad.
- Sliding drip tray.

APPROVAL: \_\_\_\_\_

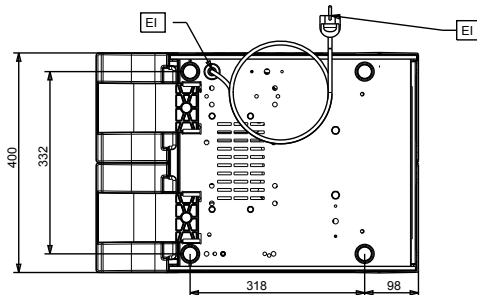
Front



Side



Top



## Electric

### Supply voltage:

560006 (IPRO2E) 220-240 V/1 ph/50 Hz

### Electrical power max.:

0.95 kW

## Key Information:

External dimensions, Width: 400 mm

External dimensions, Height: 870 mm

External dimensions, Depth: 580 mm

Net weight: 60 kg

## Refrigeration Data

Refrigerant type: R452A