

## Frozen Frozen granita, creams and soft- ice cream dispenser with 2 bowls

ITEM # \_\_\_\_\_

MODEL # \_\_\_\_\_

NAME # \_\_\_\_\_

SIS # \_\_\_\_\_

AIA # \_\_\_\_\_



560015 (GT2P)

Frozen Granita, Frozen Cream and Soft Ice Cream Dispenser with 2x5 l insulated bowls

### Short Form Specification

Item No. \_\_\_\_\_

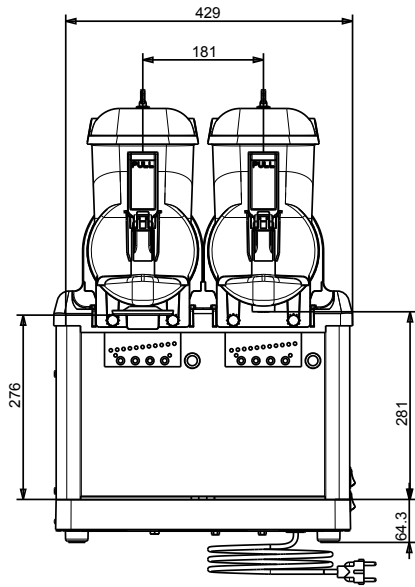
2x5lt counter machine, dispensing smooth soft ice-cream, cold cream, sorbet and frozen yogurt. It works with water or milk/based dried products or with brik mixtures ready to be poured into the bowl. The ITANK™ Technology prevents ice accumulation on the outer side of the bowl. LED-based electronic keypad. Safety stop system and USB customizable software.

### Main Features

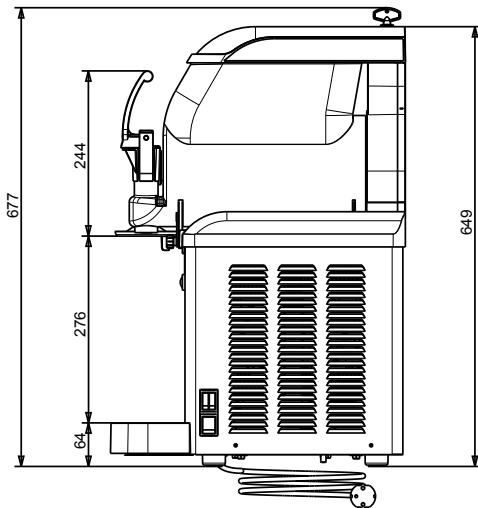
- Compact counter machine, dispensing smooth soft ice-cream, cold cream, sorbet and frozen yogurt; it can be used also for slush.
- Works with water or milk/based dried products or with brik mixtures ready to be poured into the bowl.
- The ITANK™ Technology prevents ice accumulation on the outer side of the bowl, reducing condensation and increasing the cooling power of the machine.
- LED-based electronic keypad.
- Safety stop system.
- USB customizable software.
- The insulated tank guarantees higher cooling efficiency and lower effect of the external temperature on product's preparation and maintenance time reducing condensing and draining; it is the best solution in hot climate conditions.
- Easy to use thanks to the adjustable push button control panel: when pressing it the rotation speed raises and the product is pushed out easily.

APPROVAL: \_\_\_\_\_

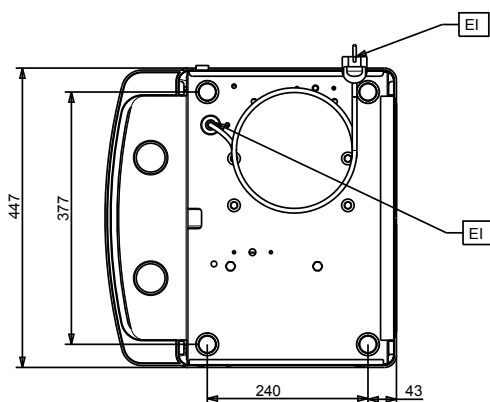
Front



Side



Top



### Electric

Supply voltage:

560015 (GT2P) 220-240 V/1 ph/50 Hz

Electrical power max.:

0.6 kW

### Key Information:

External dimensions, Width: 450 mm

External dimensions, Height: 650 mm

External dimensions, Depth: 435 mm

Net weight: 46 kg

### Refrigeration Data

Refrigerant type: R452A

 Frozen  
Frozen granita, creams and soft-ice cream dispenser with 2 bowls

The company reserves the right to make modifications to the products without prior notice. All information correct at time of printing.