



Project _____

Item # _____

Quantity _____

Convected Drawer Warmer

Model: CDW-3N

Designed to keep a variety of food products hot and flavor-fresh and crisp until served. These non-humidified, single cavity/single-temperature controlled units provide even, dry heat for food products that do not require humidity.

Standard features

- Low velocity convected air system provides even temperature throughout the cabinet
- 12-gauge stainless steel slides, and heavy-duty hardware
- Digital electronic controller for easy programming and temperature accuracy
- Tough, solid chrome handles are angled to avoid glances from passing carts
- Includes One 6" (152 mm) deep food pan per drawer, low profile 2" (51 mm) casters and 6' (1829 mm) cord and plug
- Narrow width fits most kitchen footprints
- Heavy-duty drawer slides with nylon rollers
- Each drawer fits a standard 12.75"W x 20.75"D x 2.5", 4", or 6"H (324 x 527 x 64, 102, 152 mm) food pan or 12.75"W x 20.75"D x 6"H (324 x 527 x 152 mm) perforated food pan
- Uses 120 volts with no special wiring resulting in efficient operating costs
- Completely insulated single cavity provides maximum energy efficiency
- Freestanding unit comes with a 6' (1829 mm) cord
- Provides even, dry heat for food products that do not require humidity.



CDW-3N
with low
profile casters

Accessories

- Stainless Steel Food Pans



For operation, location and safety information, please refer to the Installation and Operating Manual.



HATCO CORPORATION | P.O. Box 340500 Milwaukee, WI 53234-0500 U.S.A. | (800) 558-0607 | (414) 671-6350



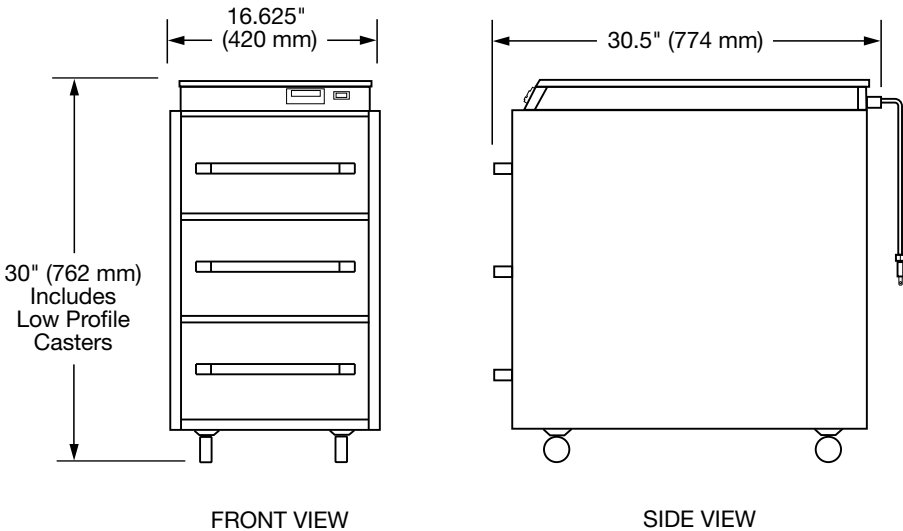
www.hatcocorp.com | support@hatcocorp.com | [Find a Hatco Rep](#) | [Image Library](#) | [Document Library](#) | [Chat](#)



Convected Drawer Warmer

Model: CDW-3N

CDW-3N



SPECIFICATIONS Convected Drawer Warmer

The shaded areas contain electrical information for International models

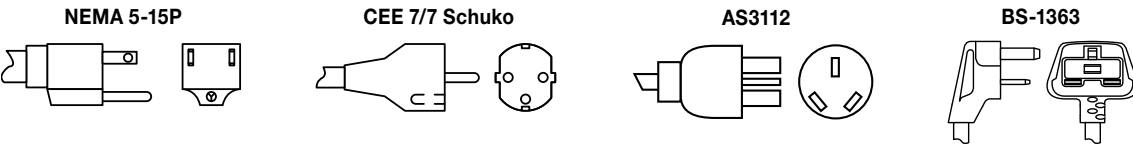
Model	Dimensions* (Width x Depth x Height)	Volts	Phase	Watts	Amps	Plug	Ship Weight*
CDW-3N	16.625" x 30.5" x 30" (420 x 774 x 762 mm)	120	Single	1015	8.5	NEMA 5-15P	179 lbs. (81 kg)
		230		933	4.1	CEE 7/7 Schuko	
						AS 3112	
						BS-1363	

♦ Height includes low profile 2" (51 mm) casters (two swivel with wheel locks and two swivel). Depth Includes 1.25" (32 mm) for drawer handle.
 * Shipping weight includes packaging.

CORD LOCATION

Back of unit, top right corner.

PLUG CONFIGURATIONS



PRODUCT SPECS Convected Drawer Warmer

The Drawer Warmers shall be a Hatco Model, freestanding unit manufactured by the Hatco Corporation, Milwaukee, WI 53234, U.S.A.
 The unit shall havedrawer(s) and be rated atwatts,amps. Freestanding model shall be equipped with a cord and plug.
 The Drawer Warmer shall have a stainless steel exterior, interior, drawer slides, and

assembly. Drawer rollers shall be durable nylon. The unit shall be insulated top and sides of cabinet with digital electronic controller and low velocity convected air system. Accessories include Stainless Steel Food Pans.
 Warranty consists of 24/7 parts and service assistance (U.S. and Canada only).