



Project _____

Item # _____

Quantity _____

Flav-R-Fresh® Impulse Display Cabinets

Models: FDWD-1, -1X, -2, -2X

The Hatco Flav-R-Fresh® uses controlled moisture and heat to showcase your product longer, not just for minutes but for hours. It holds everything from hot pretzels to 15" (381 mm) pizzas, croissants to bagels, and even hot dogs and meat pies.

Electrical components, controls and water reservoir are located at the top for easy access. Electronic controls monitor cabinet temperature. Models with two doors are available for pass-through convenience and a variety of merchandising racks help enhance food appeal.

The Hatco Flav-R-Fresh is ideal for restaurants, pizzerias, convenience stores, concession stands, snack bars and kiosks.

Standard features

- Energy efficient LED lighting showcases your food appeal while safe-guarding food products from bulb breakage
- Separate heat and humidity controls keep crisp foods crisp and moist foods moist
- The rounded designed cabinet features tempered glass sides and door for full-view display
- Single- or double-side opening models
- Specify left- or right-hinged door at time of order, and doors are field reversible (excludes self-closing door)

WATER QUALITY REQUIREMENTS

Water supply in excess of 3.0 grains of hardness per gallon (GPG) (.75 grains of hardness per liter) must be treated and softened before being used. Water containing over 3.0 GPG (.75 GPL) will decrease the efficiency and reduce the operating life of the unit.

Note: Product failure caused by liming or sediment buildup is not covered under warranty.



✓ IFS anti-microbial coatings use naturally-occurring, environmentally sustainable, silver ions to help inhibit the growth of microbes on the powder coated surface. See www.hatcocorp.com/antimicrobial-paint for more information.



For operation, location and safety information, please refer to the Installation and Operating Manual.



FDWD-1
accessory 4-tier circle
rack and rack coupling

Options (available at time of purchase only)

Designer Colors

Non-standard colors are non-returnable –

Clear Anodized Aluminum standard –

- Warm Red Black Gray Granite White Granite
- Navy Blue Hunter Green Antique Copper

Neutral White (cool) LED lighting (Warm White is standard)

Self-Closing Door in lieu of standard door. Left hinge only, not field reversible

6" Merchandising Display Sign Holder (control side only) (sign not included)

3" One Sided Merchandising Display Sign Holder (one per side, three max) (sign not included)

6 3/8" One Sided Merchandising Display Sign Holder (one per side, three max) (sign not included)

Accessories

4" (102 mm) Adjustable Legs

Motorless Rack Coupling (FDWD-1X -2X only)

4-tier Circle Rack (Requires coupling for -1X and -2X models)

4-shelf Multi-Purpose Rack

3-tier Pretzel Tree (Requires coupling for -1X and -2X models)

3-shelf Angle Rack

Decorative Kit:

Two Inset Side Panels

(Non-standard colors are non-returnable – Designer Black standard)

- Crescent Wave

Curved Header

(Non-standard colors are non-returnable – Designer Black standard)

- Hinged for control side Non-hinged for non-control side

Base Skirts (requires 4" [102 mm] adjustable legs, not included)

(Non-standard colors are non-returnable – Designer Black standard)

- Flat front, back and sides Curved front, flat back and sides
- Curved front and back, flat sides



HATCO CORPORATION | P.O. Box 340500 Milwaukee, WI 53234-0500 U.S.A. | (800) 558-0607 | (414) 671-6350

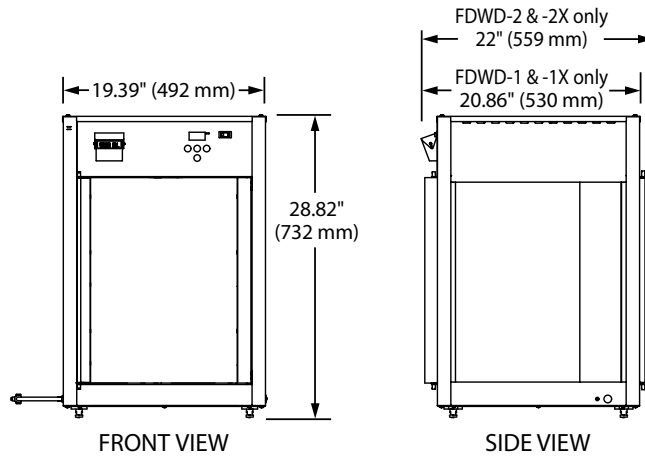


www.hatcocorp.com | support@hatcocorp.com | [Find a Hatco Rep](#) | [Image Library](#) | [Document Library](#) | [Chat](#)



Flav-R-Fresh® Impulse Display Cabinets

Models: FDWD-1, -1X, -2, -2X



SPECIFICATIONS Impulse Display Cabinets

The shaded areas contain electrical information for International models

Model ^o	Type	Dimensions (W x D x H*)	Volts	Watts	Amps	Plug	Ship Weight*
FDWD-1	1 Door with 4-tier Circle Rack with motor	19.39" x 20.86" x 28.82" (492 x 530 x 732 mm)	100	1410	14.1	NEMA 5-15P	90 lbs. (41 kg)
			120	1360	11.3	NEMA 5-15P	
			220	1410	6.4	CEE 7/7 Schuko or BS-1363	
			240	1410	5.9	CEE 7/7 Schuko or AS 3112	
			220 (CE)	1410	6.4	CEE 7/7 Schuko	
			240 (CE)	1410	5.9	BS-1363	
FDWD-1X	1 Door with 4-shelf Multi-Purpose Rack without motor (not available for retrofit)	19.39" x 20.86" x 28.82" (492 x 530 x 732 mm)	100	1440	14.4	NEMA 5-15P	90 lbs. (41 kg)
			120	1360	11.3	NEMA 5-15P	
			220	1440	6.5	CEE 7/7 Schuko or BS-1363	
			240	1440	6.0	CEE 7/7 Schuko or AS 3112	
			220 (CE)	1410	6.4	CEE 7/7 Schuko	
			240 (CE)	1410	5.9	BS-1363	
FDWD-2	2 Doors with 4-tier Circle Rack with motor	19.39" x 22" x 28.32" (492 x 559 x 727 mm)	100	1410	14.1	NEMA 5-15P	90 lbs. (41 kg)
			120	1360	11.3	NEMA 5-15P	
			220	1410	6.4	CEE 7/7 Schuko or BS-1363	
			240	1440	5.9	CEE 7/7 Schuko or AS 3112	
			220 (CE)	1410	6.4	CEE 7/7 Schuko	
			240 (CE)	1410	5.9	BS-1363	
FDWD-2X	2 Doors with 4-shelf Multi-Purpose Rack without motor (not available for retrofit)	19.39" x 22" x 28.32" (492 x 559 x 727 mm)	100	1410	14.1	NEMA 5-15P	90 lbs. (41 kg)
			120	1360	11.3	NEMA 5-15P	
			220	1410	6.4	CEE 7/7 Schuko or BS-1363	
			240	1440	5.9	CEE 7/7 Schuko or AS 3112	
			220 (CE)	1410	6.4	CEE 7/7 Schuko	
			240 (CE)	1410	5.9	BS-1363	

^o Non-humidified cabinets available, unit will only operate in dry mode.

* Height includes standard 1" (25 mm) legs.

* Shipping weight includes packaging.

CABINET OPENING

15.75"W x 19.75" H (400 x 502 mm). Will fit half size sheet pans.

CORD LOCATION

Facing controls, left-hand side panel, lower right corner.

PRODUCT SPECS

Impulse Display Cabinets

The humidity controlled Impulse Display Cabinet shall be a Flav-R-Fresh® Model ... rated at ... volts and ... watts, as manufactured by the Hatco Corporation, Milwaukee, WI 53234 U.S.A.

The cabinet shall have ... door(s), tempered glass sides, stationary rack (or revolving display), and LED display light. It shall include a water reservoir, electronic controls,

PLUG CONFIGURATIONS



On/Off switch, and indicating lights. A 6' (1829 mm) cord with plug shall be attached.

Accessories shall include merchandising racks, display sign holders (signs not included) and side, top and base skirt.

Warranty consists of 24/7 parts and service assistance (US and Canada only).

HATCO CORPORATION | P.O. Box 340500 Milwaukee, WI 53234-0500 U.S.A. | (800) 558-0607 | (414) 671-6350



www.hatcocorp.com | support@hatcocorp.com | [Find a Hatco Rep](#) | [Image Library](#) | [Document Library](#) | [Chat](#)