



Project _____

Item # _____

Quantity _____

Glo-Ray® Carving Stations

Models: GRCSCL-24
GRCSCLH-24

The Glo-Ray® Carving Station is an excellent addition to extend food holding times during serving periods. Create a complete serving station for buffets by adding it to Hatco's Flav-R-Savor® Holding Cabinet.

Standard features

- Overhead ceramic heating elements project high intensity radiant heat over entire target area
- Available with or without heated base
- Independent controls define temperature settings for the ceramic element top heat and the blanket element base heat (GRCSCLH-24 only)
- Shatter-resistant incandescent lights
- Sturdy right-hand side sneeze guard
- Adjustable clearance of 17" to 23" (445 to 570 mm) from the top of the base to the bottom of the foodwarmer housing
- Portable – includes a 72" (1829 mm) cord and plug
- Cord location is back side on base
- Ceramic and blanket heating elements guaranteed against burnout and breakage for one year



Options (available at time of purchase)

- Halogen Bulb in lieu of standard Display Light (available for U.S./Canada only)

Accessories

- Left-Hand Sneeze Guard Kit, 3 lbs. (1 kg)
- Stainless Steel Custom Drip Pan
20" x 26.75" x 1" (508 x 680 x 25 mm), 9 lbs. (4 kg)
- Approved Foodsafe Cutting Board
18" x 24" x 1.75" (457 x 610 x 45 mm), 19 lbs. (9 kg)
- Chef LED Bulb in lieu of Standard Display Light (60 watt) – 120V
 - 3000K Similar to warm halogen
 - 4000K Similar to cool fluorescent
- 230V – CE for input voltages above 200V
 - 3000K Similar to warm halogen
 - 4000K Similar to cool fluorescent



For operation, location and safety information, please refer to the Installation and Operating Manual.



HATCO CORPORATION | P.O. Box 340500 Milwaukee, WI 53234-0500 U.S.A. | (800) 558-0607 | (414) 671-6350



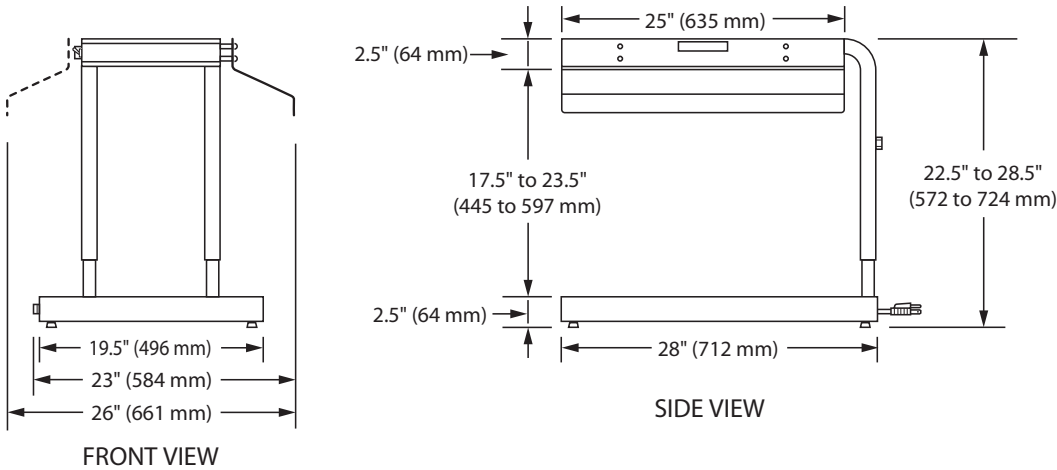
www.hatcocorp.com | support@hatcocorp.com | [Find a Hatco Rep](#) | [Image Library](#) | [Document Library](#) | [Chat](#)



Glo-Ray® Carving Stations

Models: GRCSCL-24, GRCSCLH-24

Glo-Ray® Carving Stations



SPECIFICATIONS

Glo-Ray® Carving Stations

The shaded areas contain electrical information for International models

Model	Dimensions (Width x Depth x Height)	Voltage	Phase	Watts	Amps	Plug	Ship Weight*
GRCSCL-24	26" (including left- and right-hand sneeze guards) x 28" x 22.5"-28.5" (661 x 712 x 572-724 mm)	120	Single	990	8.3	NEMA 5-15P	57 lbs. (25 kg)
		100	Single	778	7.8	NEMA 5-15P	
		220		1040	4.7	CEE 7/7 Schuko	
		240		990	4.1	BS-1363	
		220-230 (CE)		1041-1137	4.7-5.0	CEE 7/7 Schuko	
230-240 (CE)	909-990	4.0-4.1	BS-1363				
GRCSCLH-24†	26" (including left- and right-hand sneeze guards) x 28" x 22.5"-28.5" (661 x 712 x 572-724 mm)	120	Single	1290	10.8	NEMA 5-15P	57 lbs. (25 kg)
		220	Single	1316	6.0	CEE 7/7 Schuko	
		240		1314	5.5	BS-1363	
		220-230 (CE)		1316-1438	6.0-6.3	CEE 7/7 Schuko	
		230-240 (CE)		1208-1316	5.3-5.5	BS-1363	

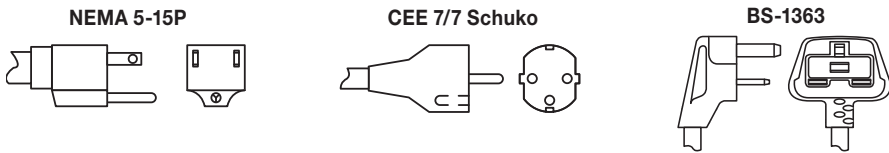
† "H" model indicates heated base.

* Shipping weight includes packaging.

CORD LOCATION

Back side on base.

PLUG CONFIGURATIONS



PRODUCT SPECS

Glo-Ray® Carving Stations

The Infrared Foodwarmer shall be a Glo-Ray® manufactured by the Hatco Corporation, Milwaukee, WI 53234 U.S.A.

The Foodwarmer shall be rated at ... watts, ... volts, single phase, and be ... inches (millimeters) in overall width.

The Glo-Ray shall consist of ceramic heating elements, incandescent lights, and sneeze guard.

The foodwarmer shall be factory-assembled ready for electrical installation.

Options: Halogen bulb. Accessories: Left-hand sneeze guard kit, stainless steel custom drip pan, approved foodsafe cutting board and Chef LED bulb.

Warranty consists of 24/7 parts and service assistance (U.S. and Canada only).

HATCO CORPORATION | P.O. Box 340500 Milwaukee, WI 53234-0500 U.S.A. | (800) 558-0607 | (414) 671-6350

www.hatcocorp.com | support@hatcocorp.com | [Find a Hatco Rep](#) | [Image Library](#) | [Document Library](#) | [Chat](#)