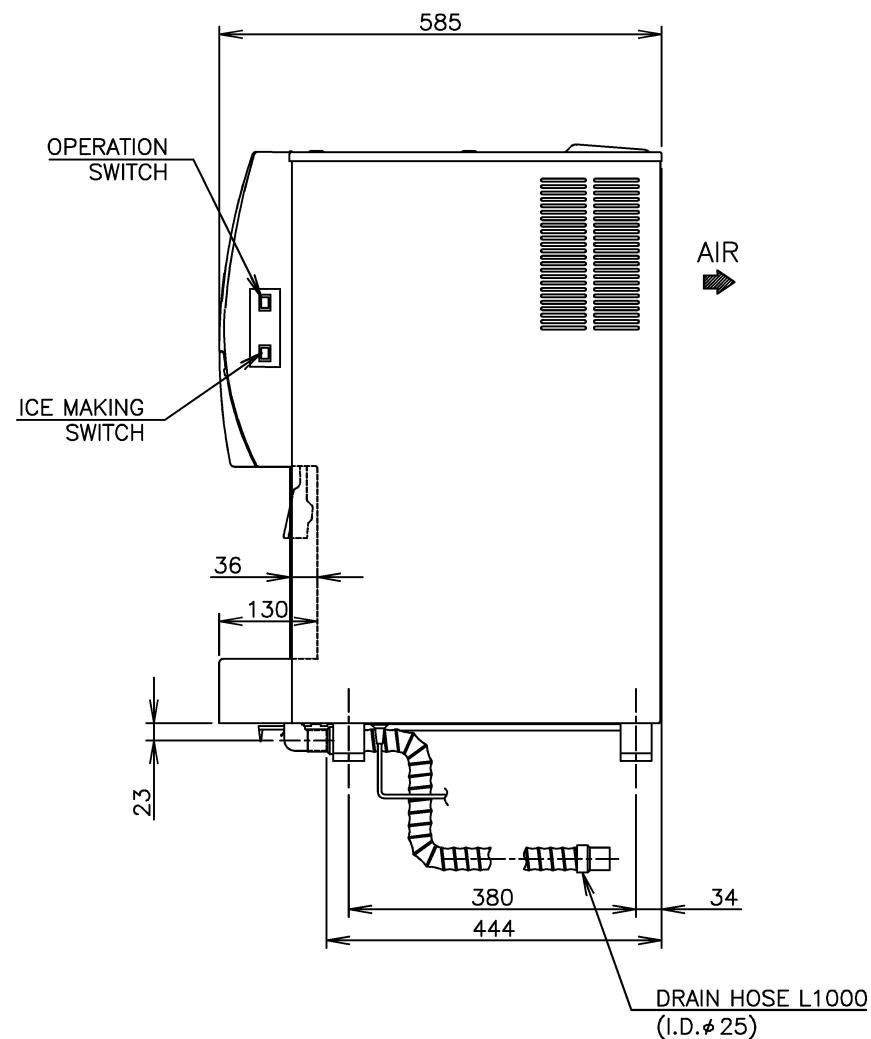
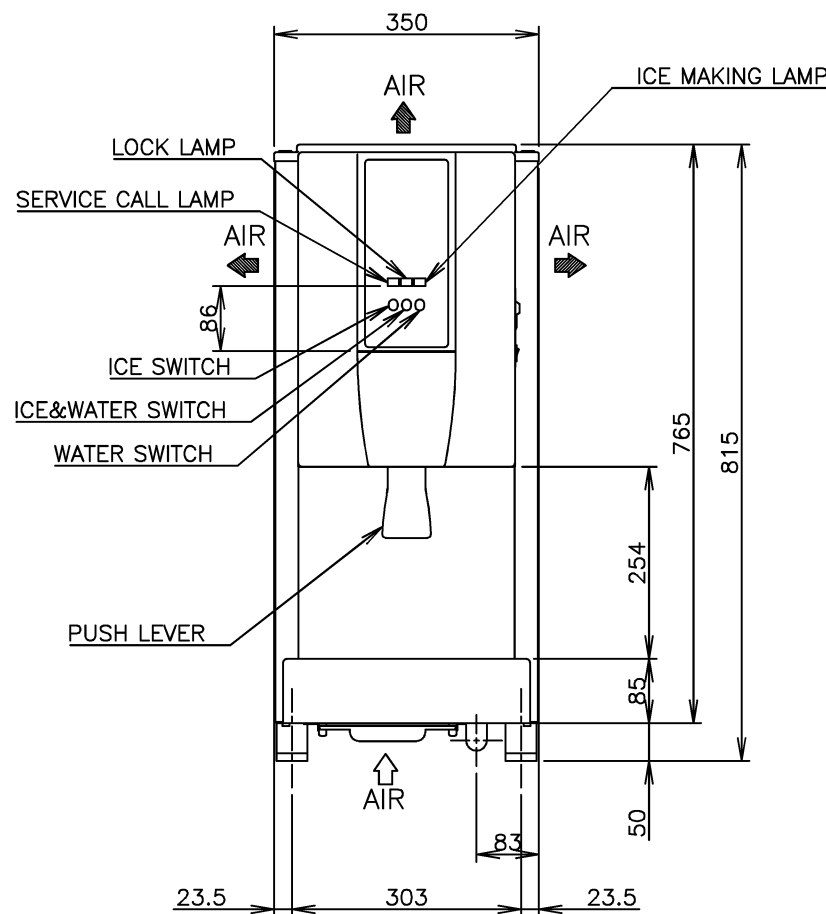


OPERATING CONDITION	Ambient Temp.: 5-40° C, Water Supply Temp.: 5-35° C
	Water Supply Pressure: 0.05-0.78MPa
	Voltage Range: Rated Voltage±6%

\*We reserve the right to make changes in specifications and design without prior notice.

1. Install the ice maker properly in accordance with the instructions on location, water supply/drain connections and electrical connections stated in the instruction and installation manuals provided.
2. The ice production depends on the ambient and water temperatures. Refer to the instruction manual.
3. The amperage and electric consumption are based on measurements with the ice dispensing solenoid off.

- △4. Product Code: L032  
L032-C101  
L032-C301



ITEM	Hoshizaki Cubelet Ice Dispenser
MODEL	DCM-120KE-HC
POWER SUPPLY	1 Phase 220-240V 50Hz Capacity: 0.60kVA (2.7A)
AMPERAGE	Rated: 2.2A Starting: 9.3A
ELECTRIC CONSUMPTION	400W (Power Factor: 83%)
ICE PRODUCTION PER 24h	Approx. 125kg (AT. 10°C, WT. 10°C) Approx. 105kg (AT. 21°C, WT. 15°C) Approx. 85kg (AT. 32°C, WT. 21°C)
SHAPE OF ICE	Cubelet (Compressed Flake Ice)
STORAGE CAPACITY	Approx. 4.0kg
ICE DISPENSING RATE (40g/CUP)	Approx. 165cups/30min (AT. 10°C, WT. 10°C) Approx. 230cups/1hour(AT. 10°C, WT. 10°C) Approx. 154cups/30min (AT. 21°C, WT. 15°C) Approx. 209cups/1hour (AT. 21°C, WT. 15°C) Approx. 144cups/30min (AT. 32°C, WT. 21°C) Approx. 188cups/1hour (AT. 32°C, WT. 21°C)
WATER CONSUMPTION PER 24h	Approx. 0.125m <sup>3</sup> (AT. 10°C, WT. 10°C) Approx. 0.105m <sup>3</sup> (AT. 21°C, WT. 15°C) Approx. 0.085m <sup>3</sup> (AT. 32°C, WT. 21°C)
OUTSIDE DIMENSIONS	350mm(W)×585mm(D)×815(~830)mm(H)
INSULATION FOAM BLOWING AGENT	HFC-free
HEAT REJECTION	800W (AT. 32°C, WT. 21°C)
EXTERIOR	Stainless Steel(Side, Rear) ABS Molding(Front, Top, Drain Pan)
ICE MAKING SYSTEM	Thin ice forming inside Cylinder
CONNECTIONS-ELECTRIC	Y-Type Connection with CONT. Plug (L032) with UK. Plug (L032-C101) with CHINA Plug (L032-C301)
CONNECTIONS-WATER SUPPLY	Direct Connection to Water Main, Inlet G3/4(Bottom)
CONNECTIONS-DRAIN	Drain Hose, I.D.φ 25mm(Bottom)
HARVESTING SYSTEM	Direct driven Auger
ICE DISPENSING SYSTEM	Push Lever and Solenoid (with Select Switch) Portion control by Dispense Switch
WATER DISPENSING SYSTEM	Push Lever and Water Valve (with Select Switch)
COMPRESSOR	Hermetic
CONDENSER	Fin and Tube type, Air-cooled
EVAPORATOR	Tube coiled around Cylinder (Solder Plated)
REFRIGERANT	R290/95g
BIN CONTROL	Mechanical Bin Control (Time Delay Controlled)
ICE MAKING WATER CONTROL	Float Switch and Water Valve
ELECTRICAL CIRCUIT PROTECTION	10A Circuit Breaker
REFRIGERANT CIRCUIT PROTECTION	Compressor Internal Thermostat Condensing Temperature detected by Thermistor(Auto-reset)
ICE MAKER PROTECTION	Shutdown by Microprocessor (Manual-reset)
WEIGHT	55kg (Gross: 64kg)
PACKAGE	Carton 440mm(W) x 655mm(D)× 1026mm(H)
ACCESSORIES	Installation Kit, Brush

# HOSHIZAKI CUBELET ICE DISPENSER DCM-120KE-HC

APPROVED NISHIO	CHECKED MIZUTANI	DESIGNED NAKATA	DRAWN OHASHI	SCALE 1/10	TRIGONOMETRY
Y.TORII	Y.TORII	2022.11.15	DATE 2018.09.26	DRAWING NO. D24012	SYMBOL △1
APPROVED	DESIGNED	DATE			