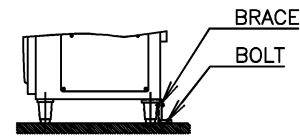
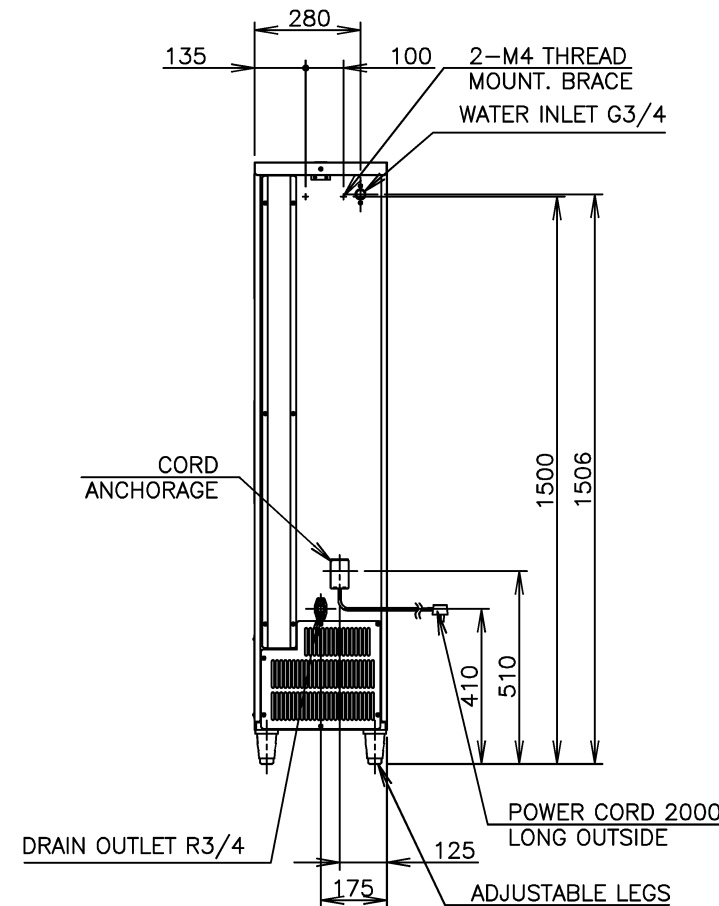
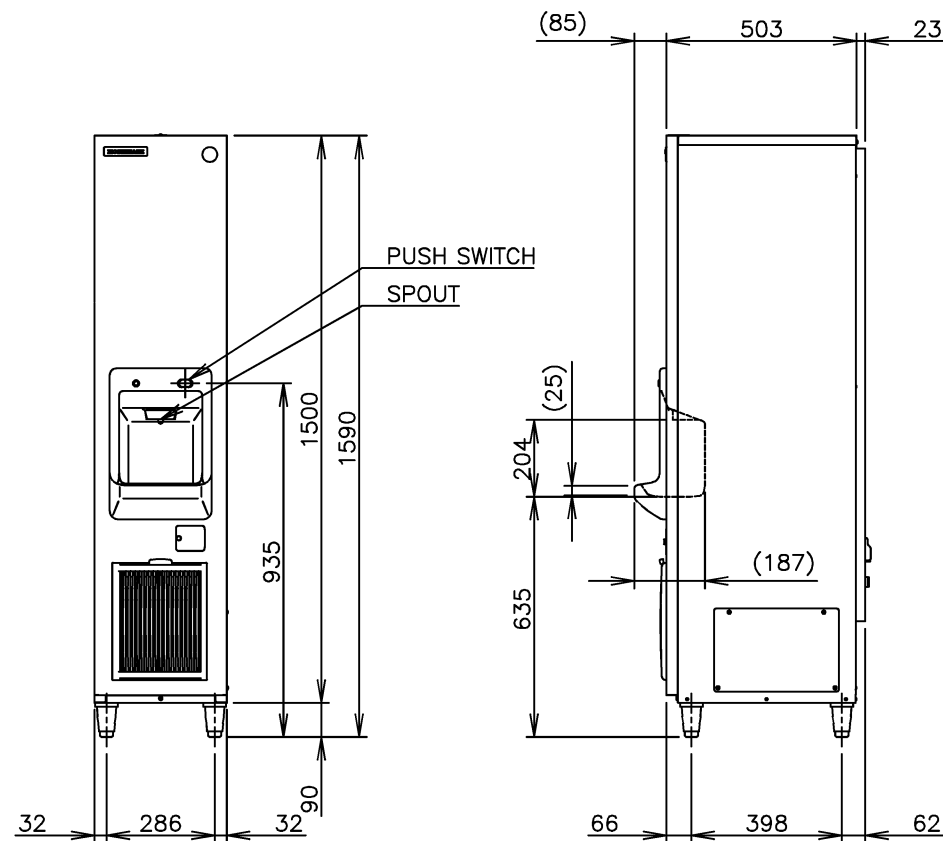


OPTIONAL  
SAFETY BRACKET INSTALLATION(WALL MOUNTING)



OPTIONAL  
SAFETY BRACKET INSTALLATION(FLOOR MOUNTING)



|                      |   |
|----------------------|---|
| OPERATING CONDITIONS | Ambient Temp.: 1 - 40° C, Water Supply Pressure: 5 - 35C° |
|                      | Water Supply Pressure: 0.07 - 0.78MPa (0.7 - 7.8bar)      |
|                      | Voltage Range: Rated Voltage ±6/10%                       |

- \*We reserve the right to make changes in specifications and design without prior notice.
1. Install the ice maker properly in accordance with the instructions on location, water supply/drain connections and electrical connections stated in the instruction manual provided. Allow 10mm extra space at the installation site to meet any installation requirements (additional spacing is also required for proper air flow and pipe connections).
  2. The ice production depends on the ambient and water temperatures. Refer to the instruction manual.
  3. The adjustable legs are optional. Consult with our sales staff.
  4. Product code: L024

|                            |  |                  |
|----------------------------|--|------------------|
| ITEM                       | Hoshizaki Cube Ice Dispenser   |                  |
| MODEL                      | DIM-40DE-HC  |                  |
| POWER SUPPLY               | 1 Phase 220-240V 50Hz<br>Capacity: 0.60kVA (2.5A)  |                  |
| AMPERAGE                   | Running: 1.9A Rated Motor: 1.9A<br>Starting: 9A  |                  |
| ELECTRIC CONSUMPTION       | Rated Motor: 280W (Power factor: 61%)  |                  |
| ICE PRODUCTION PER 24h     | Approx. 39(5mm)/43kg(15mm) (AT.10° C,WT.10° C)<br>Approx. 34(5mm)/37kg(15mm) (AT.21° C,WT.15° C)<br>Approx. 26(5mm)/30kg(15mm) (AT.32° C,WT.21° C) |                  |
| SHAPE OF ICE               | Cube Approx. 28 x 28 x 32mm  |                  |
| FREEZE TIME                | 21min (AT. 21° C, WT. 15° C)   |                  |
| ICE PRODUCTION PER CYCLE   | Approx. 0.65kg/27 pcs.<br>(AT. 21° C, WT. 15° C)   |                  |
| MAX. STORAGE CAPACITY      | Approx. 15kg   |                  |
| WATER CONSUMPTION PER 24h  | Approx. 0.19/0.22m³(AT. 10° C,WT. 10° C)<br>Approx. 0.10/0.12m³(AT. 21° C,WT. 15° C)<br>Approx. 0.08/0.10m³(AT. 32° C,WT. 21° C)                   |                  |
| ICE RELEASE CAPACITY       | Approx. 1700g/min  |                  |
| OUTSIDE DIMENSIONS         | 350mm(W) x 526mm(D) x 1590(-1635) mm(H)  |                  |
| HEAT REJECTION             | 710W (610kcal/h) (AT. 32° C,WT. 21° C)   |                  |
| CABINET                    | Plastic (Delivery Stage,Louver)<br>Colored Steel (Top, Side, Front) Galvanized Steel (Rear)  |                  |
| STORAGE BIN                | ABS Plastic, Insulation: Polyurethane Foam   |                  |
| ICE MAKING SYSTEM          | Cell Type  |                  |
| HARVESTING SYSTEM          | Hot Gas Defrost  |                  |
| ICE DISPENSING SYSTEM      | Auger Operated By Push Switch  |                  |
| CONNECTIONS - ELECTRIC     | X-type Con. (with CONT./UK Plug)   |                  |
| CONNECTIONS - WATER SUPPLY | Inlet G3/4 (connected at rear side)  |                  |
| CONNECTIONS-DRAIN          | Outlet G3/4 (connected at rear side)   |                  |
| COMPRESSOR                 | Hermetic   |                  |
| CONDENSER                  | Fin and Tube Type, Air-cooled  |                  |
| EVAPORATOR                 | Electroless nickel plated Copper Tube on Sheet   |                  |
| REFRIGERANT CONTROL        | Capillary Tube   |                  |
| REFRIGERANT                | R290 /75g  |                  |
| ICE MAKING CONTROL         | Thermistor, Timer  | Controller Board |
| HARVESTING CONTROL         | Thermistor   |                  |
| ICE MAKING WATER CONTROL   | Timer, Water Pan's movement  |                  |
| BIN CONTROL                | Microswitch With Time Delay  |                  |
| ELECTRICAL PROTECTION      | Class I Appliance, 5A Fuse   |                  |
| COMPRESSOR PROTECTION      | Overload Protector (Auto-reset)  |                  |
| ADJUSTABLE LEGS            | ABS (90-135mm)   |                  |
| NET WEIGHT                 | 59kg (Gross 70kg)  |                  |
| PACKAGE                    | 450(W) x 730(D) x 1666(H) mm   |                  |
| ACCESSORIES                | Mounting Brace (Wall Mounting), Installation Kit   |                  |
| OPTIONAL PARTS             | Mounting Brace (Floor Mounting)  |                  |

# HOSHIZAKI CUBE ICE DISPENSER DIM-40DE-HC [Cell Type]

|                    |                 |                  |                 |                    |                       |
|--------------------|-----------------|------------------|-----------------|--------------------|-----------------------|
| APPROVED<br>FUKUMA | CHECKED<br>UEDA | DESIGNED<br>SATO | DRAWN<br>OHASHI | SCALE<br>1/20      | TRIGONOMETRY          |
| *                  | *               | △                | *****           | DATE<br>2020.02.25 | DRAWING NO.<br>D28153 |
| APPROVED           | DESIGNED        | SYMBOL           | DATE            |                    | SYMBOL △              |