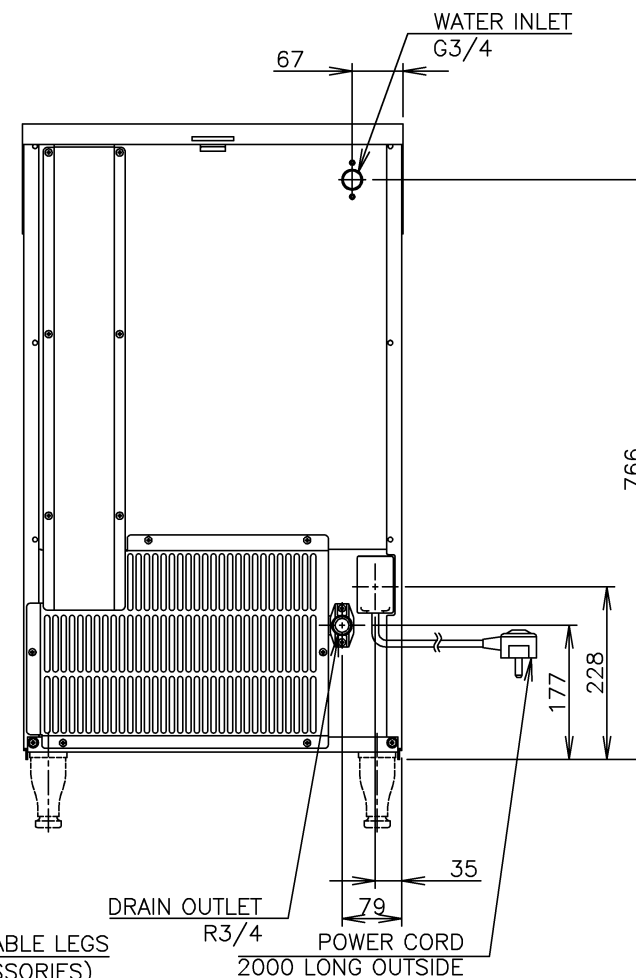
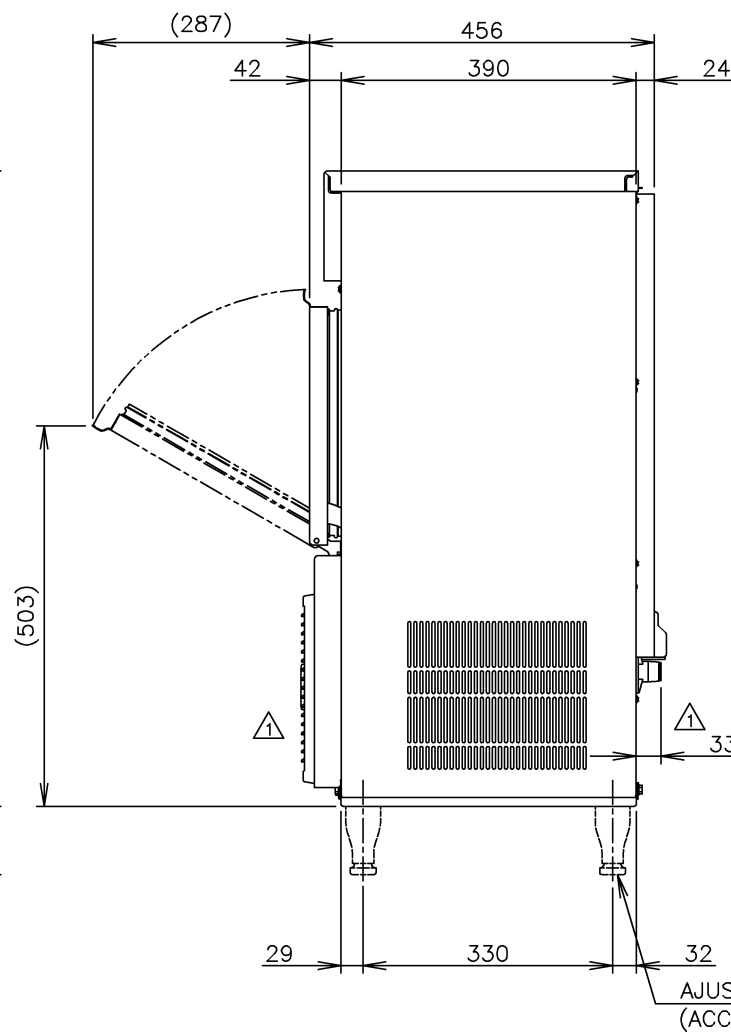
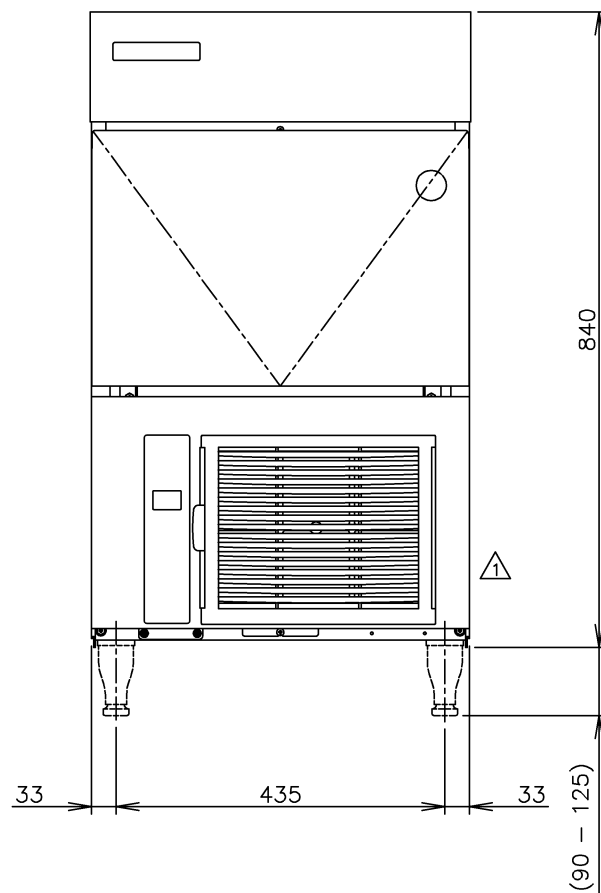
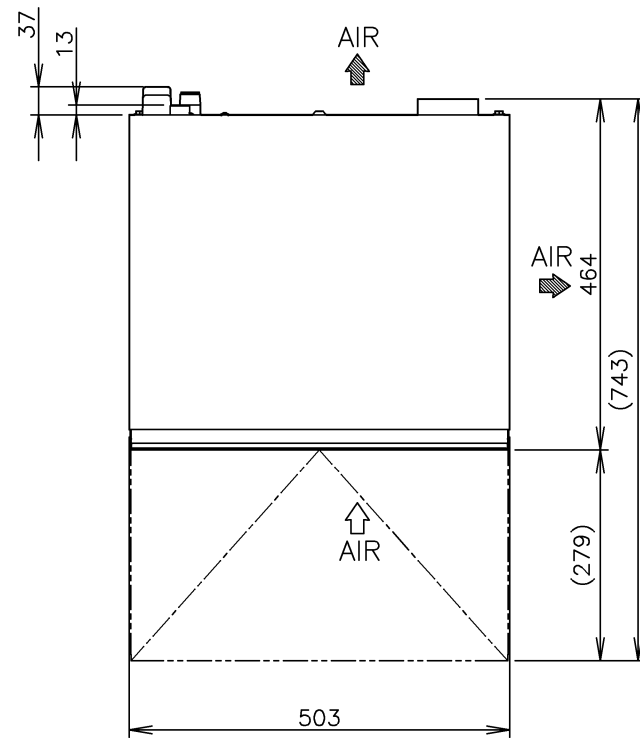


1. Install the product properly in accordance with the instructions on location, water supply/drain connections and electrical connections stated in the instruction and installation manuals provided. Allow 10mm extra space at the installation site to meet any installation requirements (additional spacing is also required for proper air flow and pipe connections).
2. The ice production depends on the ambient and water temperatures. Refer to the instruction manual.
3. Product Code: M064



| | | |
|-------------------------------|---|--|
| ITEM | Hoshizaki Cube Ice Maker | |
| MODEL | IM-45NE-HC | |
| POWER SUPPLY | 1 PHASE 220-240V 50Hz Capacity: Min. 0.57kVA (2.4A) | |
| AMPERAGE | Running: 1.9A Rated Motor: 1.9A Starting: 9A | |
| ELECTRIC CONSUMPTION | Rated Motor: 275W (Power factor: 60%) | |
| ICE PRODUCTION PER 24h | Approx. 40kg (5mm)/46kg (15mm) (Ambient Temp.10°C, Water Temp.10°C) Approx. 36kg (5mm)/42kg (15mm) (Ambient Temp.21°C, Water Temp.15°C) Approx. 30kg (5mm)/34kg (15mm) (Ambient Temp.32°C, Water Temp.21°C) | |
| WATER CONSUMPTION PER 24h | Approx. 0.18m ³ (Ambient Temp.10°C, Water Temp.10°C) Approx. 0.11m ³ (Ambient Temp.21°C, Water Temp.15°C) Approx. 0.10m ³ (Ambient Temp.32°C, Water Temp.21°C) | |
| SHAPE OF ICE | Cube Approx. 28 x 28 x 32mm | |
| FREEZE CYCLE TIME | Approx. 24min (Ambient Temp.21°C, Water Temp.15°C) | |
| ICE PRODUCTION PER CYCLE | Approx. 0.67kg/30pcs. (Ambient Temp.21°C, Water Temp.15°C) | |
| MAX STORAGE CAPACITY | Approx. 18kg (Bin Control Setting Approx. 10kg) | |
| OUTSIDE DIMENSIONS | 503mm (W) x 456mm (D) x 840mm (H) | |
| EXTERIOR | Stainless Steel, Galvanized Steel (Rear) | |
| INSULATION | Polyurethane Foam | |
| INSULATION FOAM BLOWING AGENT | Water Blown | |
| CONNECTIONS - ELECTRIC | X-Type Con. (with CONT. Plug) | |
| CONNECTIONS - WATER SUPPLY | Inlet G3/4 (connected at rear side) | |
| CONNECTIONS-DRAIN | Outlet R3/4 (connected at rear side) | |
| ICE MAKING SYSTEM | Cell type | |
| HARVESTING SYSTEM | Hot Gas Defrost | |
| COMPRESSOR | Hermetic | |
| CONDENSER | Fin and Tube type , Air-cooled | |
| HEAT REJECTION | 655W (565kcal/h) (Ambient Temp.32°C, Water Temp.21°C) | |
| EVAPORATOR | Electroless nickel plated Copper Tube on Sheet and Cells | |
| REFRIGERANT CONTROL | Capillary Tube | |
| REFRIGERANT CHARGE | R290/70g | |
| ICE MAKING CONTROL | Thermistor, Timer | |
| HARVESTING CONTROL | Thermistor | |
| BIN CONTROL | Microswitch (with Time Delay) | |
| ICE MAKING WATER CONTROL | Timer, Water Pan's Movement | |
| ELECTRICAL PROTECTION | Class I Appliance, 5A Fuse | |
| COMPRESSOR PROTECTION | Overload Protector(Auto-reset) Pressure Switch(Auto-reset) | |
| ICE MAKER PROTECTION | Interlock by Controller Board | |
| WEIGHT | 44kg (Gross 50kg) | |
| PACKAGE | Carton 635mm (W) x 520mm (D) x 1007mm (H) | |
| ACCESSORIES | Scoop, Leg, Installation Kit | |
| OPERATING CONDITIONS | Ambient Temp.: 1 - 40° C, Water Supply Temp.: 5-35° C Water Supply Pressure: 0.07-0.8MPa (0.7-8bar) Voltage Range: Rated Voltage±6% | |

*We reserve the right to make changes in specifications and design without prior notice.

HOSHIZAKI CUBE ICE MAKER IM-45NE-HC

| | | | | | |
|------------------------|-----------------|------------------|-----------------|---------------|-----------------------|
| APPROVED KUROYANAGI | CHECKED SEKI | DESIGNED UEDA | DRAWN OHASHI | SCALE 1/10 | TRIGONOMETRY |
| YAMASAKI | SATO | 2018.01.31 | DATE | 2015.04.24 | DRAWING NO. D15998 |
| APPROVED | DESIGNED | SYMBOL | DATE | | SYMBOL |